

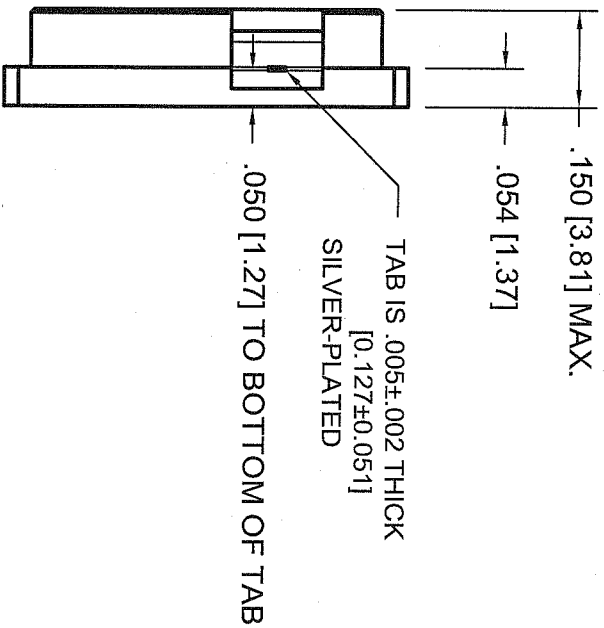
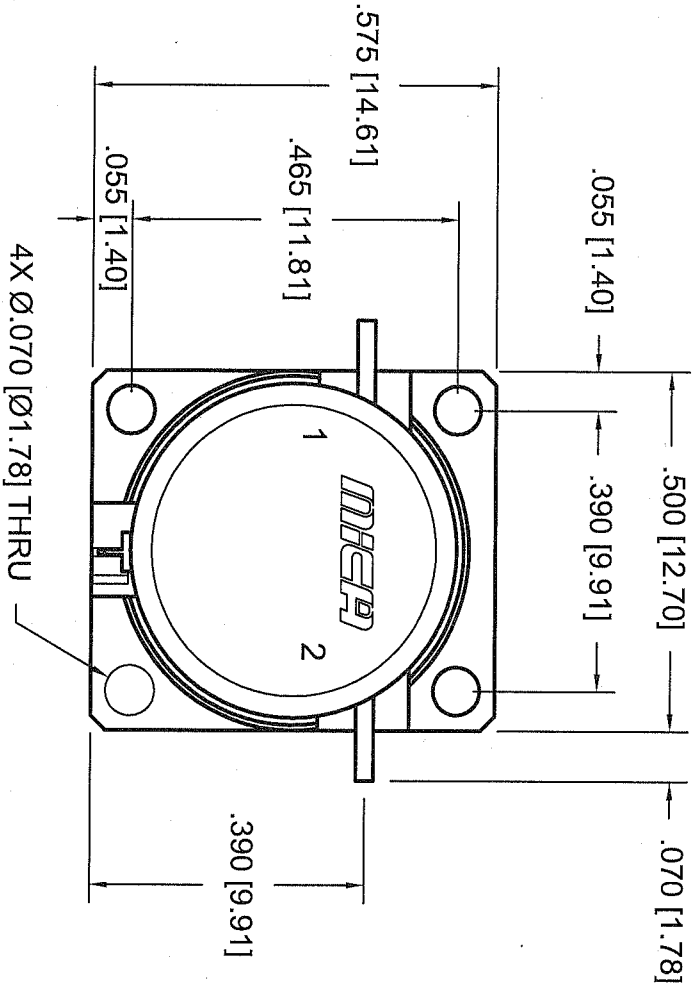
COMPANY CONFIDENTIAL: The information contained herein is the property of MICA Microwave. Its use or reproduction is prohibited except as provided for by prior written authorization from MICA Microwave.

NOTE: THIS IS A COMPUTER GENERATED DRAWING. ALL CHANGES HEREIN MUST BE REFLECTED IN THE COMPUTER DATABASE.

DWG. NO. 213541

SH 1 REV. 1

REV.	DESCRIPTION	DATE	APPROVED
1	CATALOG		



UNLESS OTHERWISE SPECIFIED DIMENSIONS ARE IN INCHES. TOLERANCES ARE:
FRACTIONS DECIMALS ANGLES
± .020 [0.508] ± 1°
XXX± .005 [0.127]
XXXX±
MATERIAL
NICKEL PLATE
FINISH
USED ON
APPLICATIONS
DO NOT SCALE DRAWING

APPROVALS	DATE
DRAWN PITCHHELL	10/13/2005
CHECKED	
ISSUED	
QA	

SIZE	FSCM NO.	DWG. NO.	REV.
A	7Y213	213541	1
SCALE	NONE	SHEET	1 OF 1

MICA®

OUTLINE DRAWING
DCF1300 PACKAGE