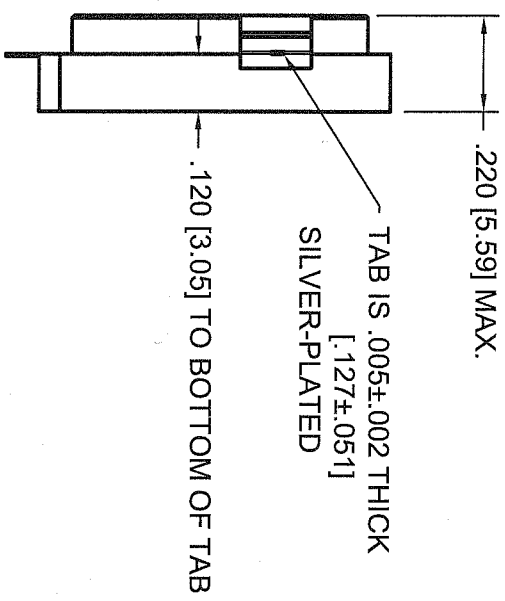
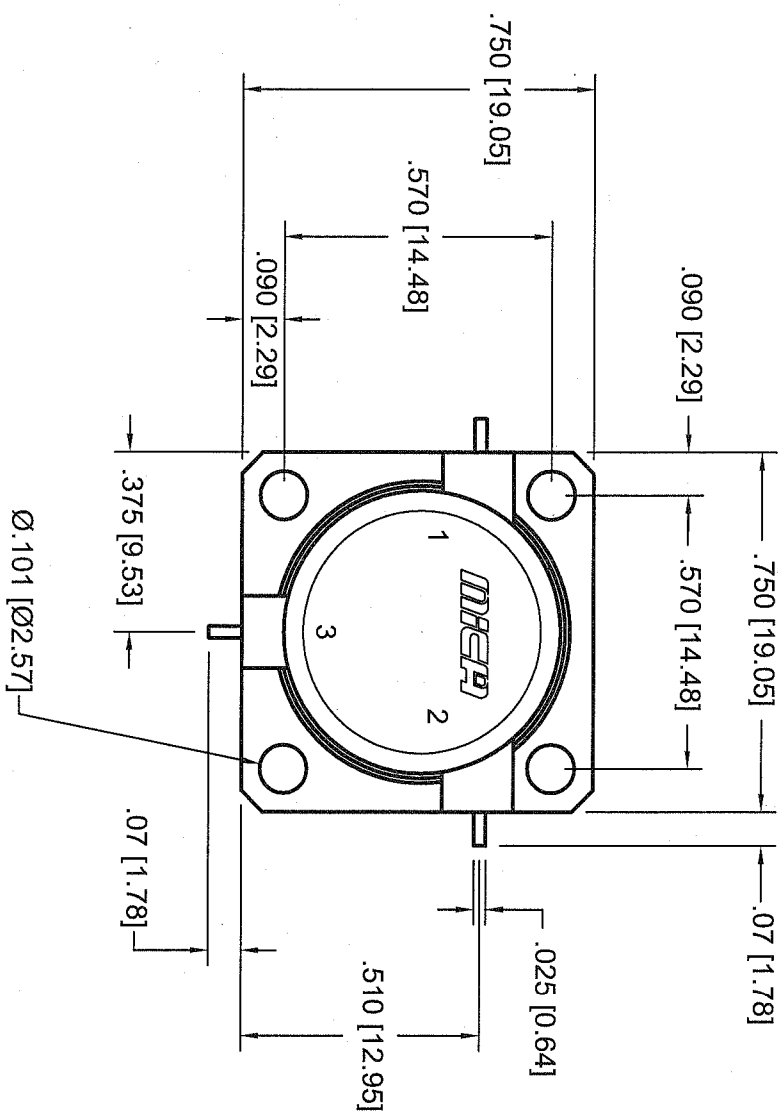


COMPANY CONFIDENTIAL: The information contained herein is the property of MICA Microwave. Its use or reproduction is prohibited except as provided for by prior written authorization from MICA Microwave.

NOTE: THIS IS A COMPUTER GENERATED DRAWING. ALL CHANGES HEREIN MUST BE REFLECTED IN THE COMPUTER DATABASE.

DWG. NO. 213540 SH 1 REV. 1

REV.	DESCRIPTION	DATE	APPROVED
1	CATALOG		



UNLESS OTHERWISE SPECIFIED DIMENSIONS ARE IN INCHES. TOLERANCES ARE:	FRACTIONS	DECIMALS	ANGLES
	±	.XX± .020 [0.508]	± 1°
		.XXX± .005 [0.127]	
		XXXX±	

MATERIAL	NICKEL PLATE
FINISH	NICKEL PLATE
ISSUED	QA
CHECKED	
DRAWN	PITCHELL
DATE	10/13/2006

APPROVALS	DATE
	10/13/2006
CHECKED	
DRAWN	PITCHELL
DATE	10/13/2006

**MICA**  
OUTLINE DRAWING  
DCF1900 CIRCULATOR PACKAGE

SIZE	FSCM NO.	DWG. NO.	REV.
A	7Y213	213540	1
SCALE	NONE		
SHEET	1 OF 1		

DO NOT SCALE DRAWING