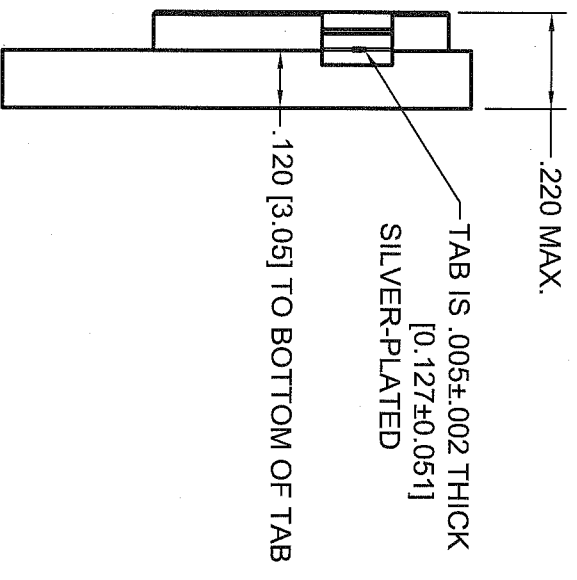
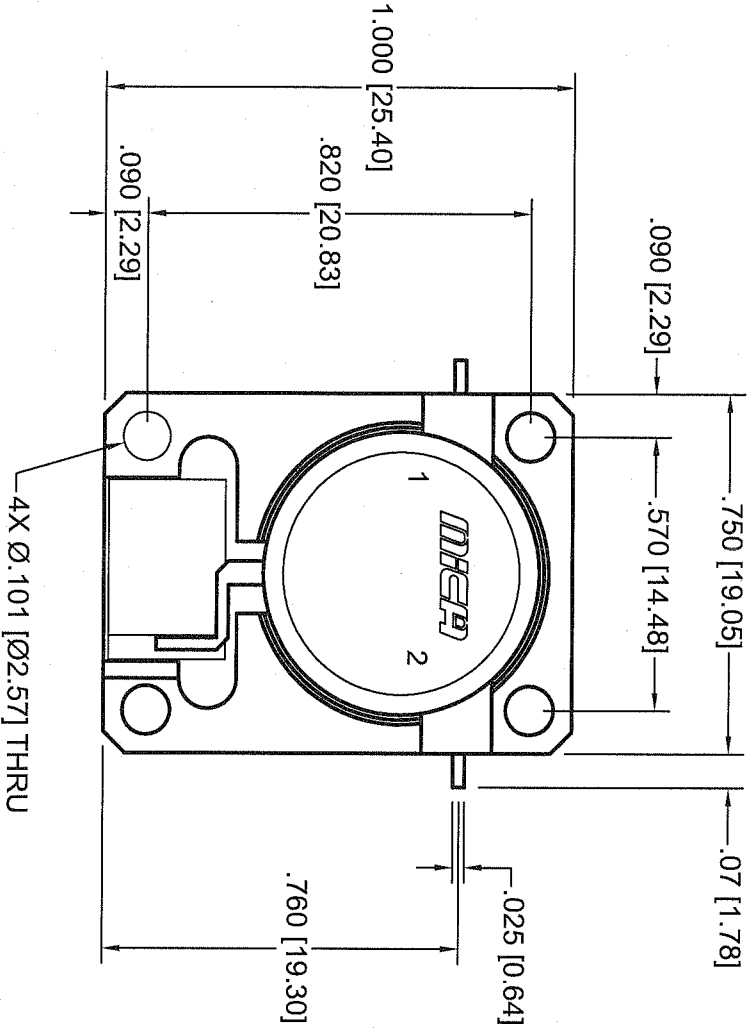



COMPANY CONFIDENTIAL: The information contained herein is the property of MICA Microwave. Its use or reproduction is prohibited except as provided for by prior written authorization from MICA Microwave.

NOTE: THIS IS A COMPUTER GENERATED DRAWING. ALL CHANGES HEREIN MUST BE REFLECTED IN THE COMPUTER DATABASE.

DWG. NO. 213538 SH 1 REV. 1

REV.	DESCRIPTION	DATE	APPROVED
1	CATALOG		



UNLESS OTHERWISE SPECIFIED DIMENSIONS ARE IN INCHES, TOLERANCES ARE:		APPROVALS		DATE	 <p>OUTLINE DRAWING DCF1900 PACKAGE HIGH-POWER</p>				
FRACTIONS	DECIMALS	ANGLES	DRAWN	PITCHCELL				10/13/2005	
±	.020 [0.508]	± 1°	CHECKED			SIZE	FSCM NO.	DWG. NO.	REV.
XXXX±	.005 [0.127]		ISSUED			A	7Y213	213538	1
MATERIAL	FINISH		QA	SCALE	NONE	SHEET	1 OF 1		
NICKEL PLATE	DO NOT SCALE DRAWING								
APPLICATIONS	USED ON								