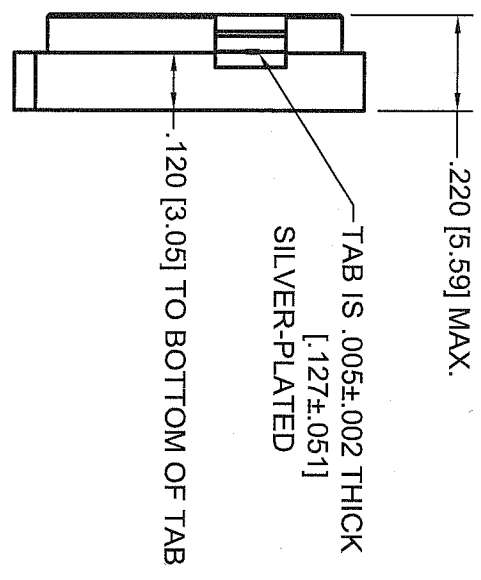
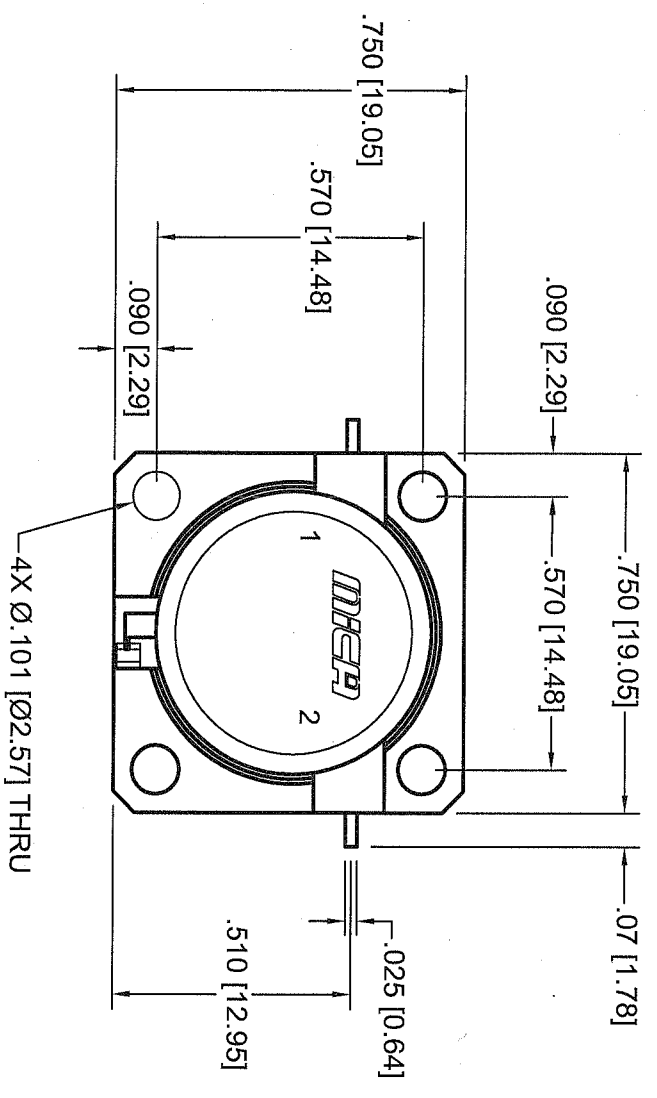


COMPANY CONFIDENTIAL: The information contained herein is the property of MICA Microwave. Its used or reproduction is prohibited except as provided for by prior written authorization from MICA Microwave.

NOTE: THIS IS A COMPUTER GENERATED DRAWING. ALL CHANGES HEREIN MUST BE REFLECTED IN THE COMPUTER DATABASE.



REV.	DESCRIPTION	DATE	APPROVED
1	CATALOG		

UNLESS OTHERWISE SPECIFIED DIMENSIONS ARE IN INCHES, TOLERANCES ARE:
FRACTIONS DECIMALS ANGLES
± .020 [0.508] ± 1°
.XXX± .005 [0.127]
.XXXX±
MATERIAL
NICKEL PLATE
FINISH
USED ON
APPLICATIONS
DO NOT SCALE DRAWING

APPROVALS	DATE
DRAWN	10/13/2005
PITCHELL	
CHECKED	
ISSUED	
QA	

SIZE	FSCM NO.	DWG. NO.	REV.
A	7Y213	213539	1
SCALE	NONE	SHEET	1 OF 1

MICA

OUTLINE DRAWING

DCF1900 PACKAGE LOW-POWER