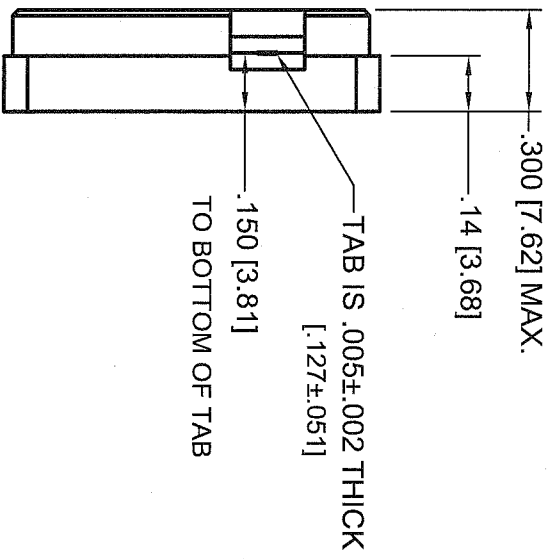
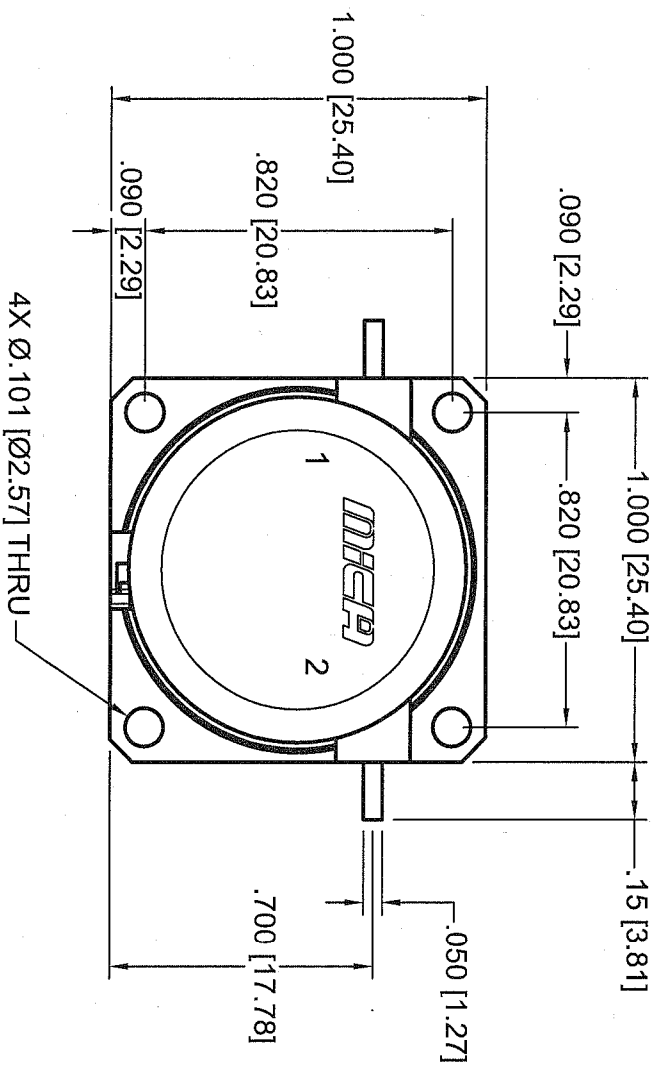



COMPANY CONFIDENTIAL: The information contained herein is the property of MICA Microwave. Its use or reproduction is prohibited except as provided for by prior written authorization from MICA Microwave.

NOTE: THIS IS A COMPUTER GENERATED DRAWING. ALL CHANGES HEREIN MUST BE REFLECTED IN THE COMPUTER DATABASE.

DWG. NO. 213536 SH 1 REV. 1

REV.	DESCRIPTION	DATE	APPROVED
1	CATALOG		



UNLESS OTHERWISE SPECIFIED DIMENSIONS ARE IN INCHES. TOLERANCES ARE:		APPROVALS		DATE		 <p>OUTLINE DRAWING DCF2540 PACKAGE LOW-POWER</p>	
FRACTIONS	DECIMALS	ANGLES	DRAWN	PITCHCELL	10/13/2005		
± .XXX	.020 [0.508]	± 1°	CHECKED			SIZE	FSCM NO.
± .XXXX	.005 [0.127]		ISSUED			A	7Y213
MATERIAL	FINISH	NICKEL PLATE	QA			SCALE	NONE
NEXT ASSY	USED ON					DWG. NO.	213536
APPLICATIONS	DO NOT SCALE DRAWING					SHEET	1 OF 1
						REV.	1