

COMPANY CONFIDENTIAL: The information contained herein is the property of MICA Microwave. Its use or reproduction is prohibited except as provided for by prior written authorization from MICA Microwave.

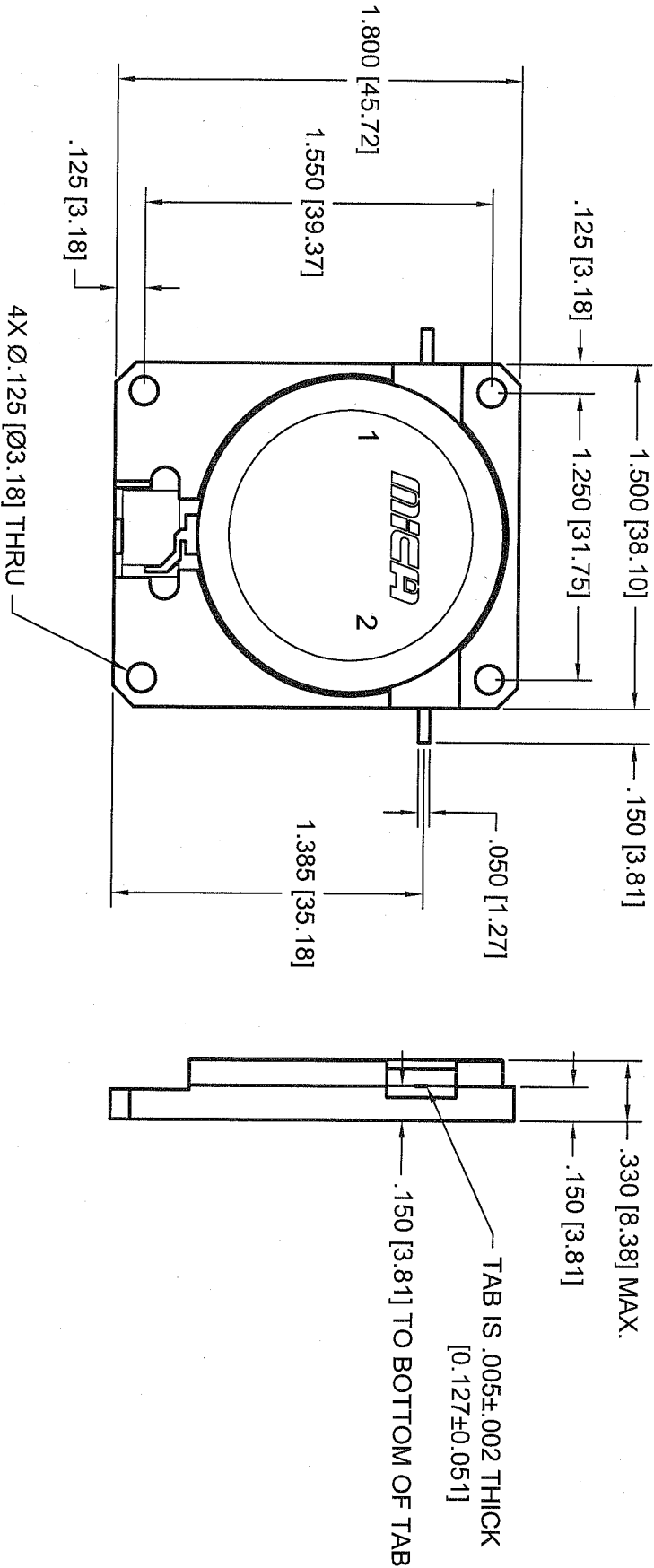
NOTE: THIS IS A COMPUTER GENERATED DRAWING. ALL CHANGES HEREIN MUST BE REFLECTED IN THE COMPUTER DATABASE.


DWG. NO.

SH 1

REV. 1

REV.	DESCRIPTION	DATE	APPROVED
1	CATALOG		



UNLESS OTHERWISE SPECIFIED DIMENSIONS ARE IN INCHES. TOLERANCES ARE:		APPROVALS		DATE		OUTLINE DRAWING	
FRACTIONS ±	DECIMALS	DRAWN	PITCHCELL	10/13/2005	 <b>OUTLINE DRAWING</b> <b>DCF3800 PACKAGE HIGH-POWER</b>		
XXX±	.020 [0.51]	CHECKED					
XXXX±	.005 [0.127]	ISSUED			SIZE	FSCM NO.	DWG. NO.
XXXX±		QA			A	7Y213	213532
MATERIAL		FINISH		SCALE		SHEET	
NICKEL PLATE		DO NOT SCALE DRAWING		NONE		1 OF 1	
NEXT ASSY		USED ON		REV.		1	
APPLICATIONS							