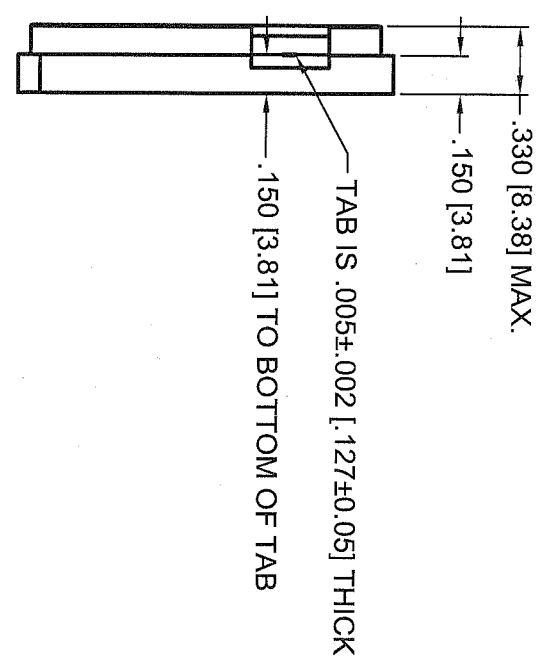
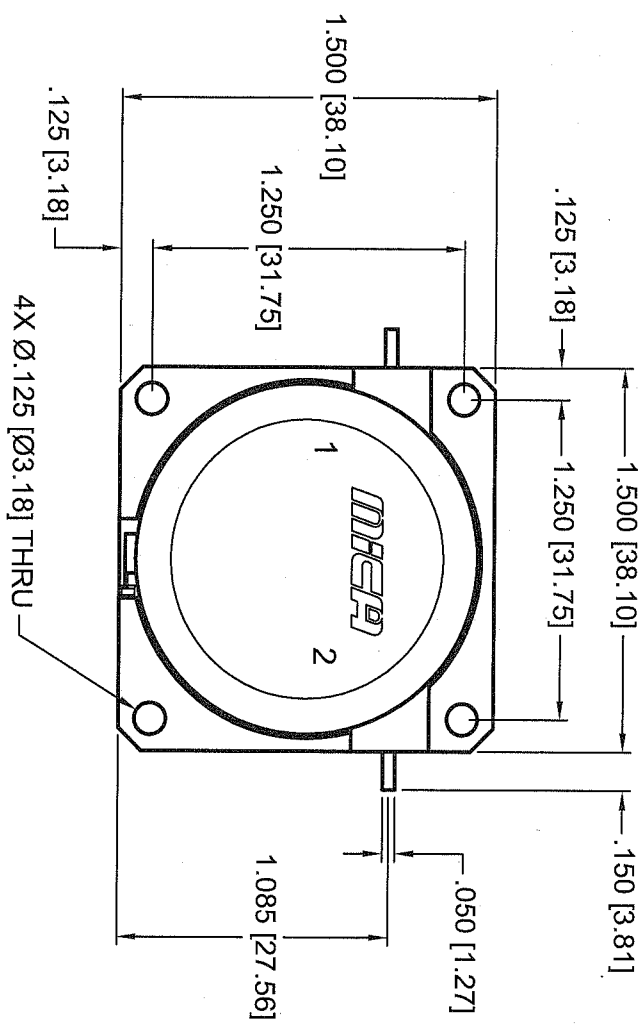


COMPANY CONFIDENTIAL: The information contained herein is the property of MICA Microwave. Its use or reproduction is prohibited except as provided for by prior written authorization from MICA Microwave.

NOTE: THIS IS A COMPUTER GENERATED DRAWING. ALL CHANGES HEREIN MUST BE REFLECTED IN THE COMPUTER DATABASE.



REV.	DESCRIPTION	DATE	APPROVED
1			

DWG. NO. 213533 SH 1 REV. 1

NEXT ASSY	USED ON
APPLICATIONS	

UNLESS OTHERWISE SPECIFIED DIMENSIONS ARE IN INCHES, TOLERANCES ARE:  
 FRACTIONS DECIMALS ANGLES  
 ± .XX± .020 [0.51] ± 1°  
 .XXX± .005 [0.127]  
 .XXXX±

MATERIAL NICKEL PLATE  
 FINISH DO NOT SCALE DRAWING

APPROVALS	DATE
DRAWN PITCHELL	10/13/2005
CHECKED	
ISSUED	
QA	

**MHEP**<sup>®</sup>

**OUTLINE DRAWING**

**DCF-3800 PACKAGE LOW-POWER**

SIZE **A** FSCM NO. **7Y213** DWG. NO. **213533** REV. **1**

SCALE NONE SHEET **1** OF **1**